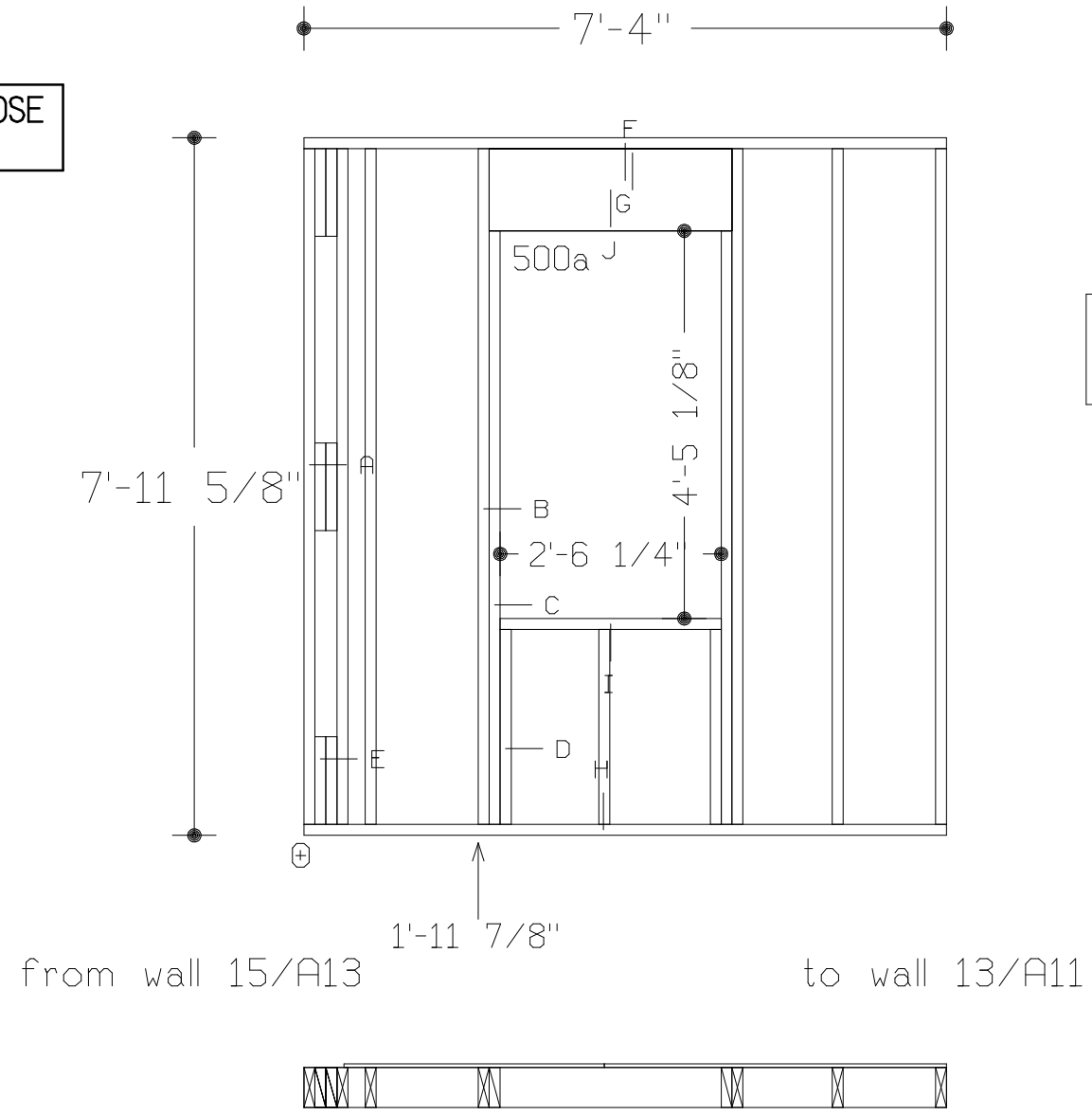


14	Lev A	SIZE 2x6	ST. BLK. 0'-6 7/8"	VTP EXTENSIONS		SHEATHING EXTENSIONS				PROJECT		COMPANY BLUEGRASS TRUSS	
	EXTLB	SPACING 1'-4"	ST. STRT. 0'-8 3/8"	LEFT N/A	RIGHT N/A	LEFT -0'-5 1/2"	RIGHT FLUSH	TOP +7'-11 5/8"	BOTTOM FLUSH	UNIT NO.	LAST REV.	DATE Dec 15 2005	NAME

SHIP LOOSE
VTP



1/2" FOAM
OVER 1/2" OSB
CORNER BRACING

DESCRIPTION	QTY	SIZE	LENGTH	DESCRIPTION	QTY	SIZE	LENGTH
A-STUD	5	2x6	7'-8 5/8"	F-HEADER SHIM	2	1/2x12	2'-9 1/4"
B-KING STUD	2	2x6	7'-8 5/8"	G-TOP PLT	1	2x6	7'-4"
C-JACK	2	2x6	6'-9 3/8"	H-BOTTOM PLATE	1	2x6	7'-4"
D-CRIPPLE	3	2x6	2'-2 3/4"	I-SILL	1	2x6	2'-6 1/4"
E-VERTICAL BLOCK	6	2x6	1'-0"	J-SOLID HEADER	3	2x12	2'-9 1/4"