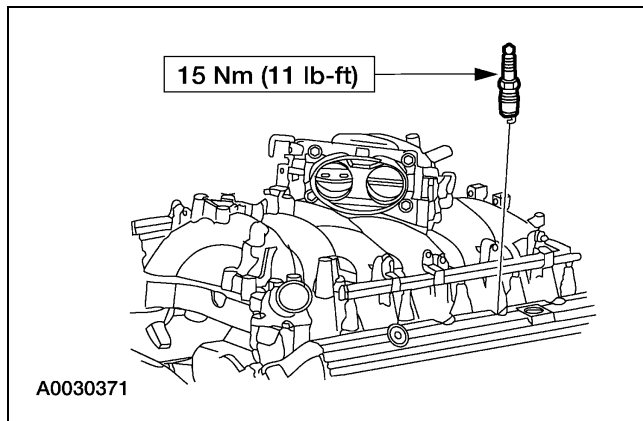


REMOVAL AND INSTALLATION

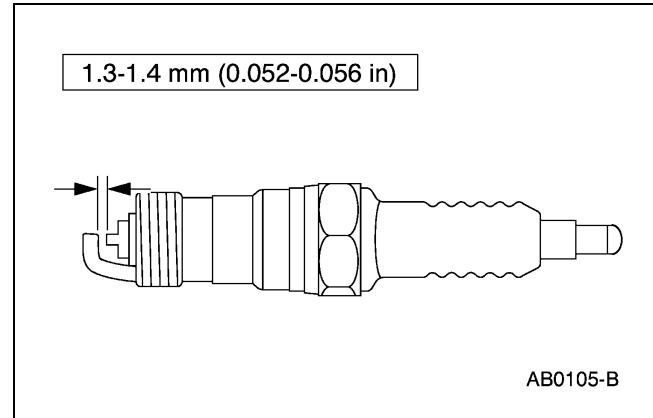
Spark Plug

Removal and Installation

1. Remove the air cleaner outlet tube. For additional information, refer to Section 303-12.
2. Remove the ignition coil (12029). For additional information, refer to Ignition Coil—On Plug in this section.
3. **NOTE:** Remove any foreign material from the spark plug wells with compressed air.
Remove the spark plug.



4. Inspect the spark plugs. For additional information, refer to Section 303-00.
5. Adjust the spark plug gap as necessary.



6. To install, reverse the removal procedure.